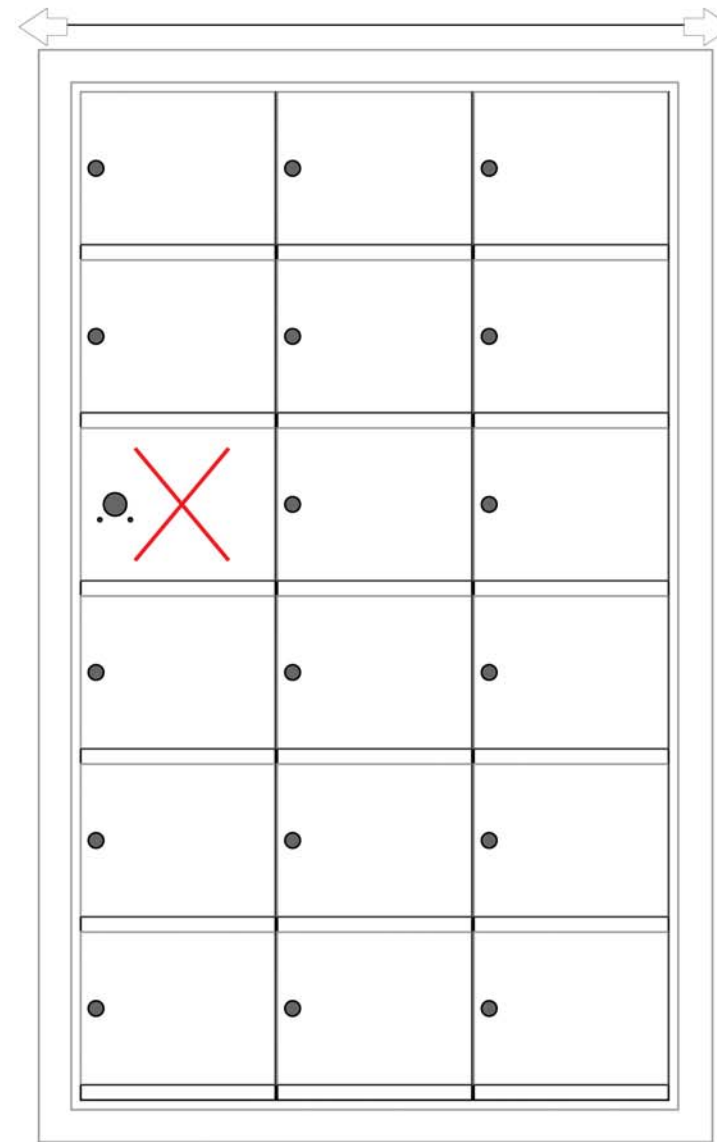


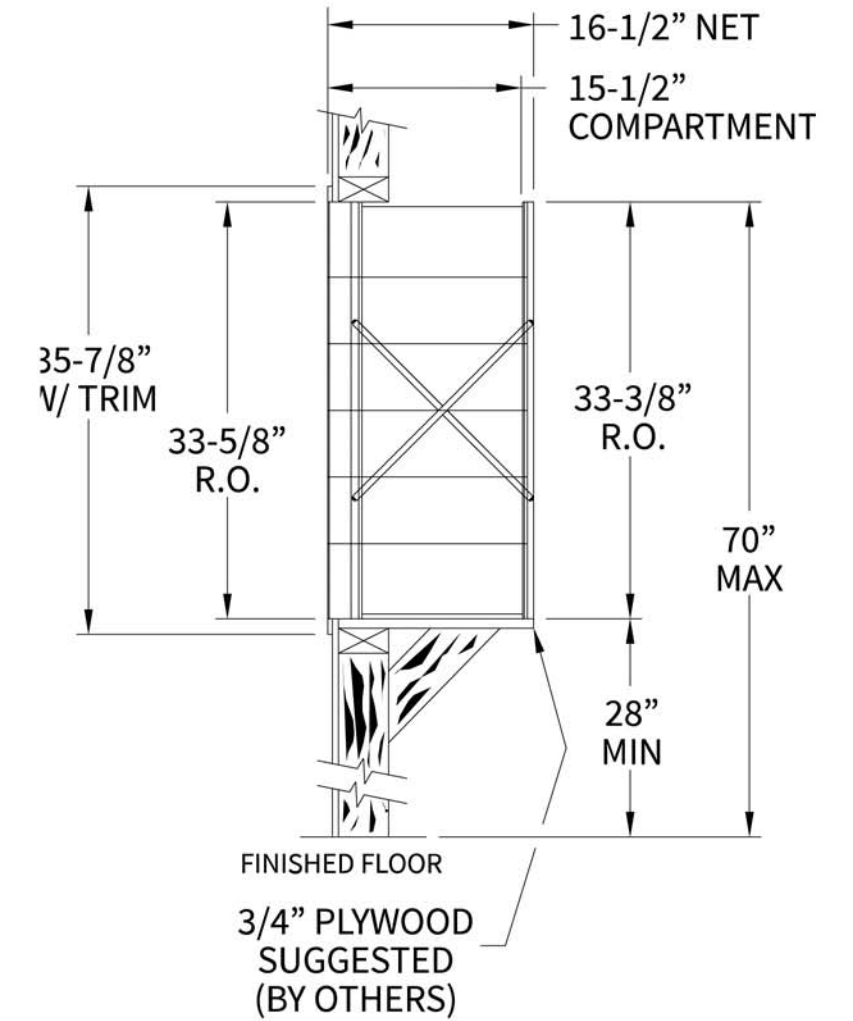
**140063 Dimensions**

Overall Width w/ Trim: 23-1/4"  
(Rough Opening: 21")



**140063**

**Side View**



**Configuration Details:**

- 1. **Product Type:** 1400 Horizontal
- 2. **Installation:** Front-load, Recessed Mount
- 3. **Finish:** Anodized Aluminum
- 4. **Locks:** Standard Cam Lock, 2 keys
- 5. **Door Id:** tbd
- 6. **Master Door:** tbd

Matching standard snap-on trim included

**Models Used:**

(1) 140063

**DO NOT SCALE OFF DRAWING**

**Door Sizes Used:**

(17) 1400 1x1 Compartment  
(1) 1x1 Master

**ELEVATION:** 140063 | **MAILBOXES:** 17 |

**PROJECT NAME:** 1400 Series Mailbox | **DRAWN BY:** FLORENCE



Address: P.O Box 13144, Wauwatosa, WI 53213  
Phone Number: 1-800-676-5161  
Website: www.NationalMailboxes.com

|                             |                     |
|-----------------------------|---------------------|
| <b>DATE:</b> 01-15-2016     | <b>P.O. NO:</b>     |
| <b>SCALE:</b> NONE          | <b>QUOTE NO:</b>    |
| <b>DRAWING NO.</b> WEB-1933 | <b>SHEET 1 OF 1</b> |