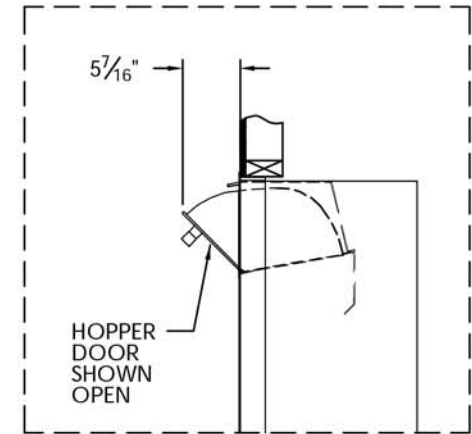
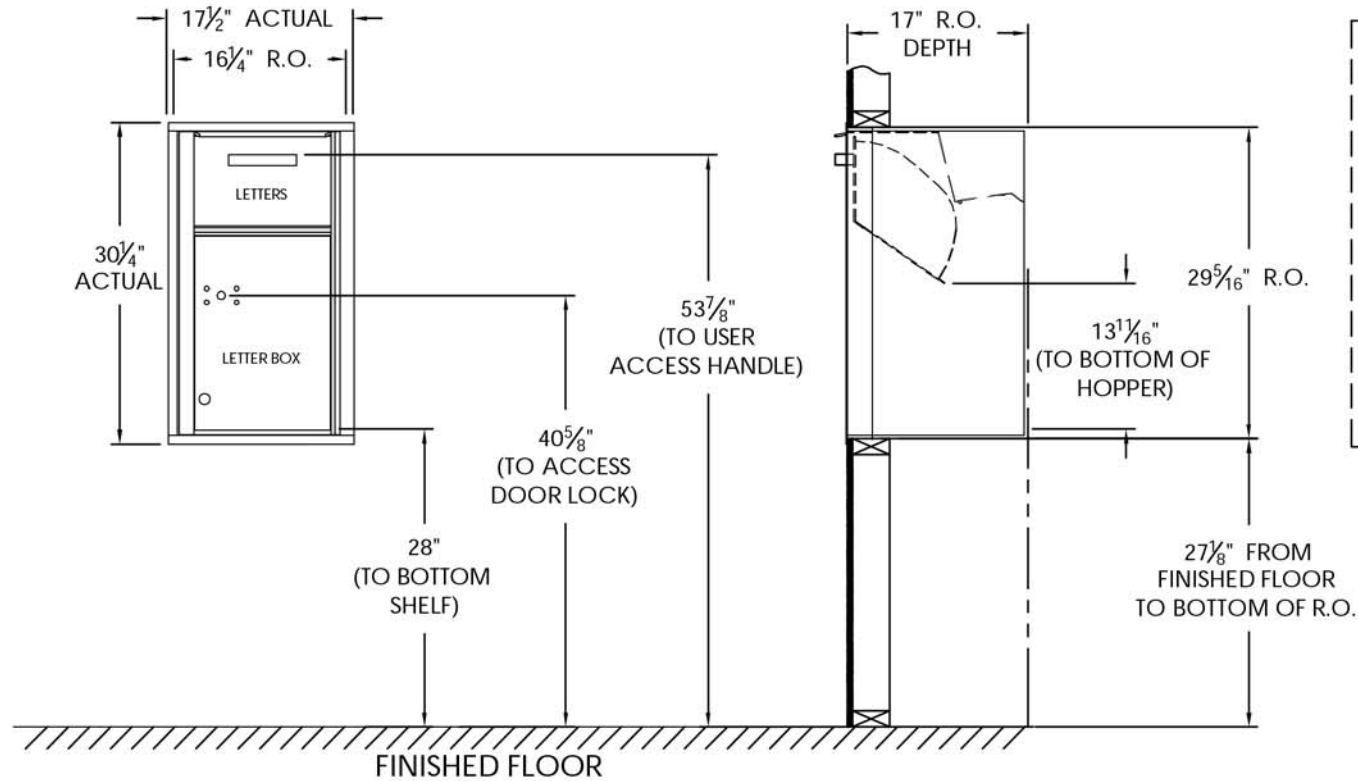


# versatile™ 4C Collection Box, 4C08S-HOP




MAX BUNDLE SIZE		
HEIGHT	WIDTH	LENGTH
4 1/4"	11 3/8"	6 1/4"
3 1/2"	11 3/8"	11 1/2"
3"	11 3/8"	14 3/4"
2 1/2"	11 3/8"	14 3/4"

**NOTES:**

1. 4C Collection boxes are USPS Approved.
2. Module may be recessed, surface, or pedestal mounted and coordinates with Florence versatile™ 4C mailbox modules, see installation manual for details.
3. Collection Box compartment size is 13 11/16" H x 12" W x 15"D.

PRODUCT SERIES: **VERSATILE™ 4C COLLECTION BOX**

 <b>NATIONALMAILBOXES</b> <small>A DIVISION OF NMHP INC.</small> <small>North America's Commercial &amp; Residential Mailbox Leader!</small> <small>Address: P.O. Box 13144, Wauwatosa, WI 53213</small> <small>Phone Number: 1-800-676-5161</small> <small>Website: www.NationalMailboxes.com</small>	MODEL <b>4C08S-HOP</b>	REV <b>G</b>
	SCALE <b>NONE</b>	LAST REV DATE <b>07/01/14</b>
	DRAWING NUMBER <b>4C08S-HOPCS</b>	DRAWN BY <b>TAB</b>