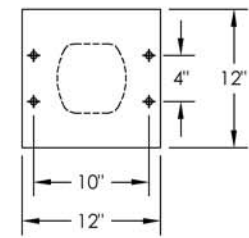
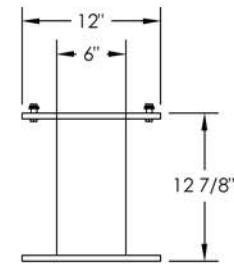
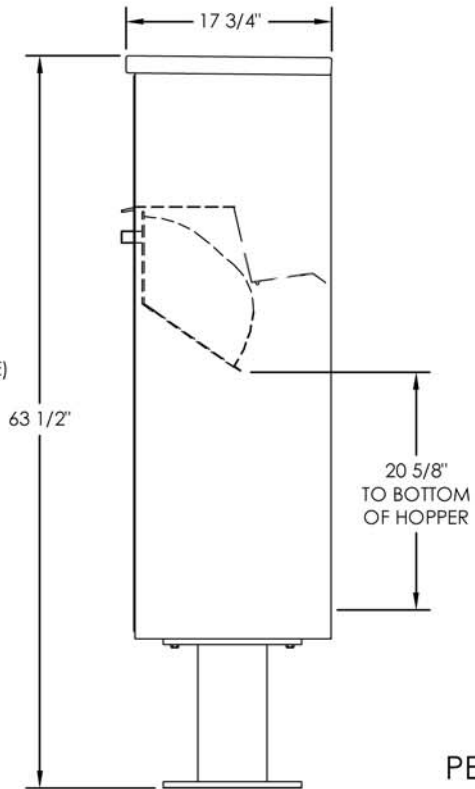
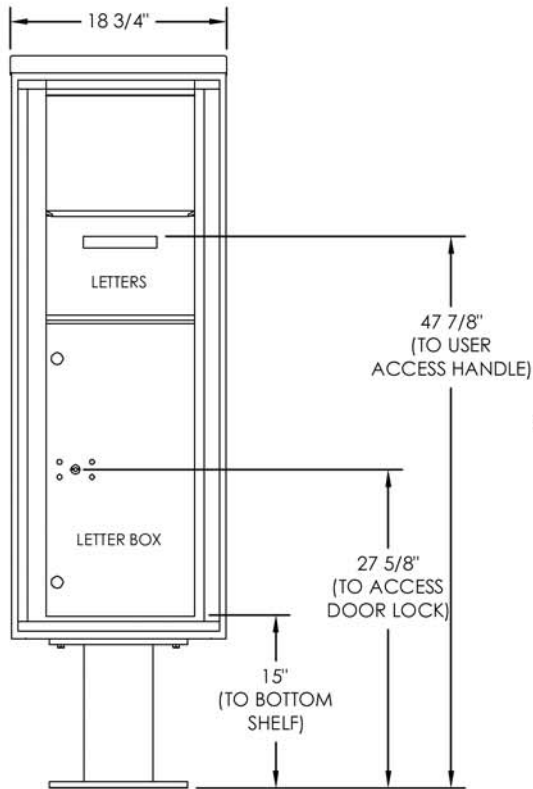
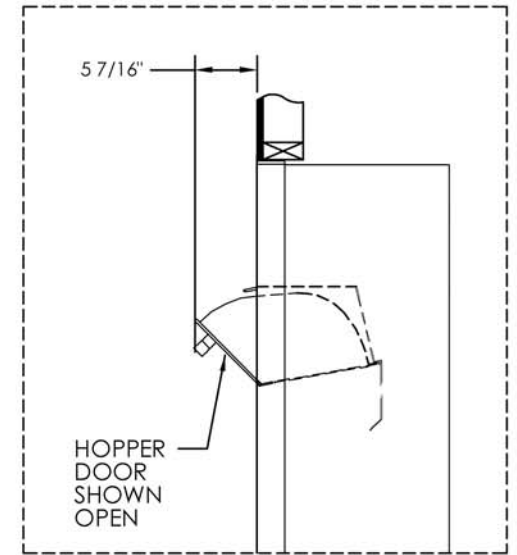


# versatile 4C Pedestal Mount Collection Box, 4C13S-HOP-P




PEDESTAL DETAIL



MAX BUNDLE SIZE		
HEIGHT	WIDTH	LENGTH
4 1/4"	11 3/8"	6 1/4"
3 1/2"	11 3/8"	11 1/2"
3"	11 3/8"	14 3/4"
2 1/2"	11 3/8"	14 3/4"

**NOTES:**

1. 4C pedestal units are for private applications only / not USPS Approved.
2. May be installed outside or inside - see foundation specification details within the 4C Installation Manual.
3. Collection Box compartment size is 20 5/8" H x 12" W x 15"D.
4. Fixed top panel is for security purposes and is not usable.

PRODUCT SERIES: <b>VERSATILE™ 4C PEDESTAL MOUNT COLLECTION BOX</b>		
 <b>NATIONALMAILBOXES</b> A DIVISION OF NMHP INC. <small>North America's Commercial &amp; Residential Mailbox Leader!</small> Address: P.O. Box 13144, Wauwatosa, WI 53213 Phone Number: 1-800-676-5161 Website: www.NationalMailboxes.com	MODEL <b>4C13S-HOP-P</b>	REV <b>D</b>
	SCALE <b>NONE</b>	LAST REV DATE <b>7/02/14</b>
DRAWING NUMBER <b>4C13S-HOP-PCS</b>		DRAWN BY <b>TNS</b>