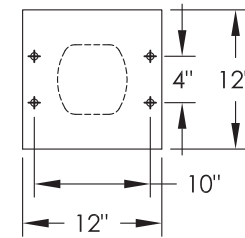
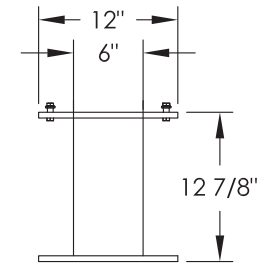
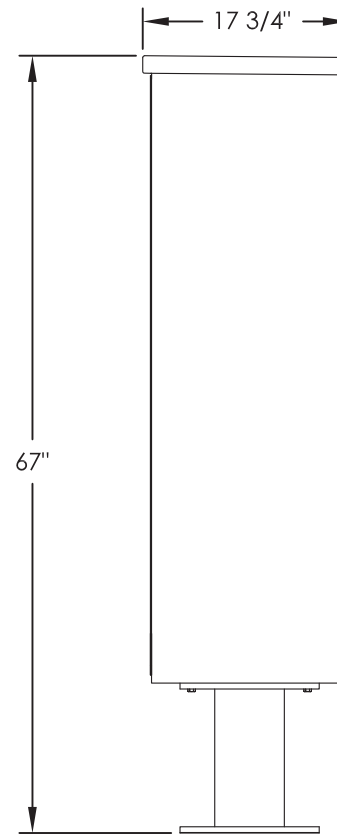
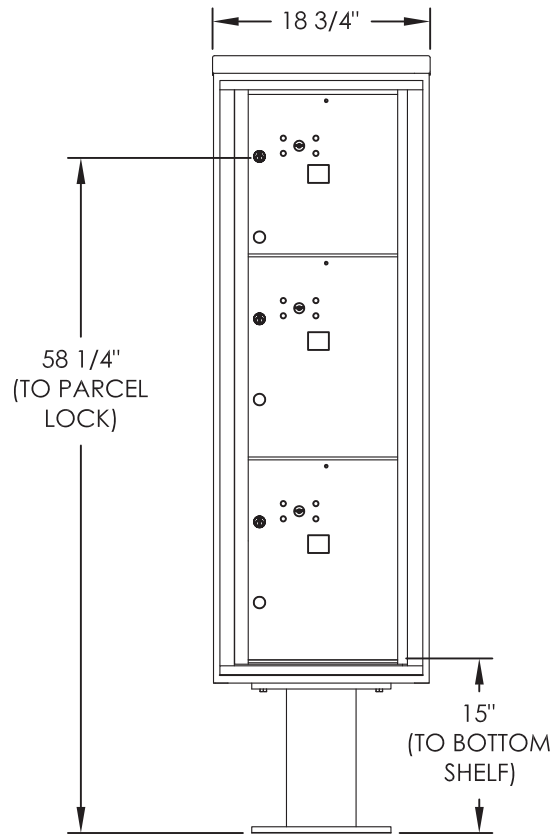


# versatile™ 4C Pedestal Mount Mailbox, 4C14S-3P-P



PEDESTAL DETAIL

## COMPARTMENT CHART

| DESCRIPTION | COMPARTMENT | COMPARTMENT SIZE          | QTY. |
|-------------|-------------|---------------------------|------|
| PARCEL      | PL4         | 13-1/2" H x 12" W x 15" D | 1    |
| PARCEL      | PL5         | 17" H x 12" W x 15" D     | 2    |

### NOTES:

1. 4C pedestal units are for private applications only / not USPS Approved.
2. May be installed outside or inside - see foundation specification details within the 4C Installation Manual.

PRODUCT SERIES: VERSATILE™ 4C PEDESTAL MOUNT MAILBOX



**NATIONALMAILBOXES**  
A DIVISION OF NMHP INC.

North America's Commercial & Residential Mailbox Leader!

Address: P.O. Box 13144, Wauwatosa, WI 53213  
Phone Number: 1-800-676-5161  
Website: www.NationalMailboxes.com

|                             |                         |
|-----------------------------|-------------------------|
| MODEL 4C14S-3P-P            | REV A                   |
| SCALE NONE                  | LAST REV DATE 5/13/2014 |
| DRAWING NUMBER 4C14S-3P-PCS | DRAWN BY SDH            |