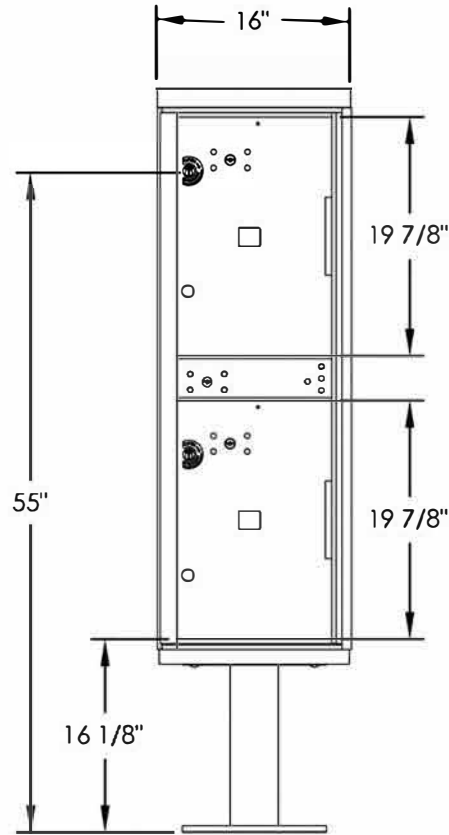
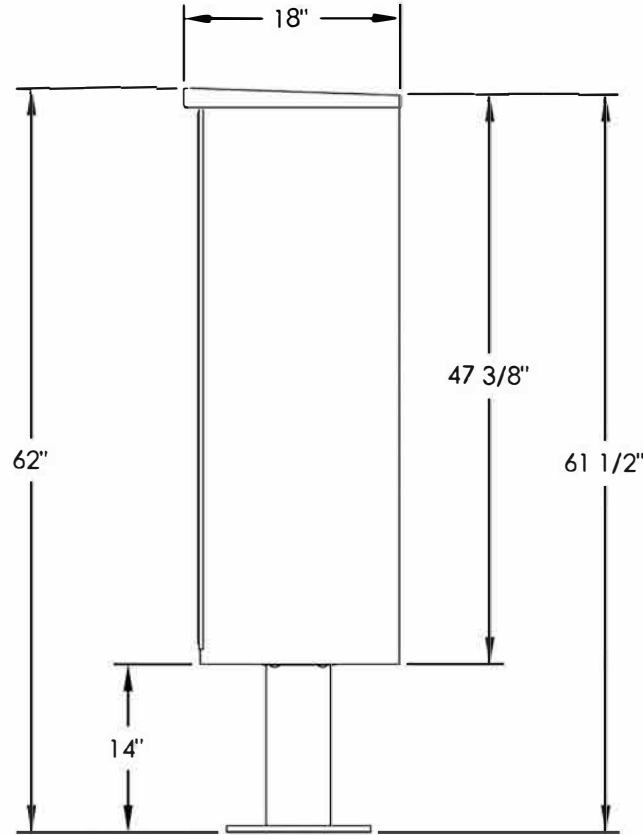


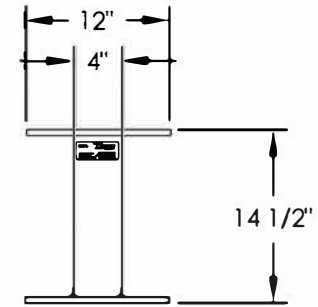
# Outdoor Parcel Locker - Type I



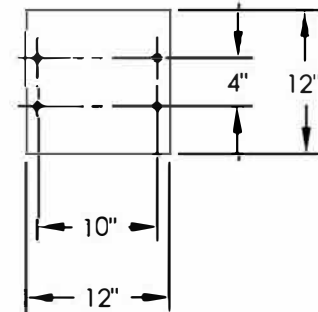
FRONT VIEW



SIDE VIEW



PEDESTAL



PEDESTAL BASE  
BOLT PATTERN

DOOR CHART

| DOOR TYPE | DIMENSION (HEIGHT x WIDTH) |
|-----------|----------------------------|
| PARCEL    | 19-7/8"x12-13/16"          |

NOTES:

1. This unit is approved for USPS and private applications.
2. Includes Rubber Pad for installation; mounting hardware not included, refer to installation manual for recommendations.

|  |  |                                |                                |
|--|--|--------------------------------|--------------------------------|
| PRODUCT SERIES: <b>OUTDOOR PARCEL LOCKER</b>   |  | MODEL <b>1590-T1</b>           | REV <b>A</b>                   |
|  <b>NATIONALMAILBOXES</b><br>A DIVISION OF NMHP INC.<br><i>North America's Commercial &amp; Residential Mailbox Leader!</i><br>Address: P.O. Box 13144, Wauwatosa, WI 53213<br>Phone Number: 1-800-676-5161<br>Website: www.NationalMailboxes.com |  | SCALE <b>NONE</b>              | LAST REV DATE <b>9/26/2012</b> |
|  |  | DRAWING NUMBER <b>H1590-T1</b> | DRAWN BY <b>AFD</b>            |