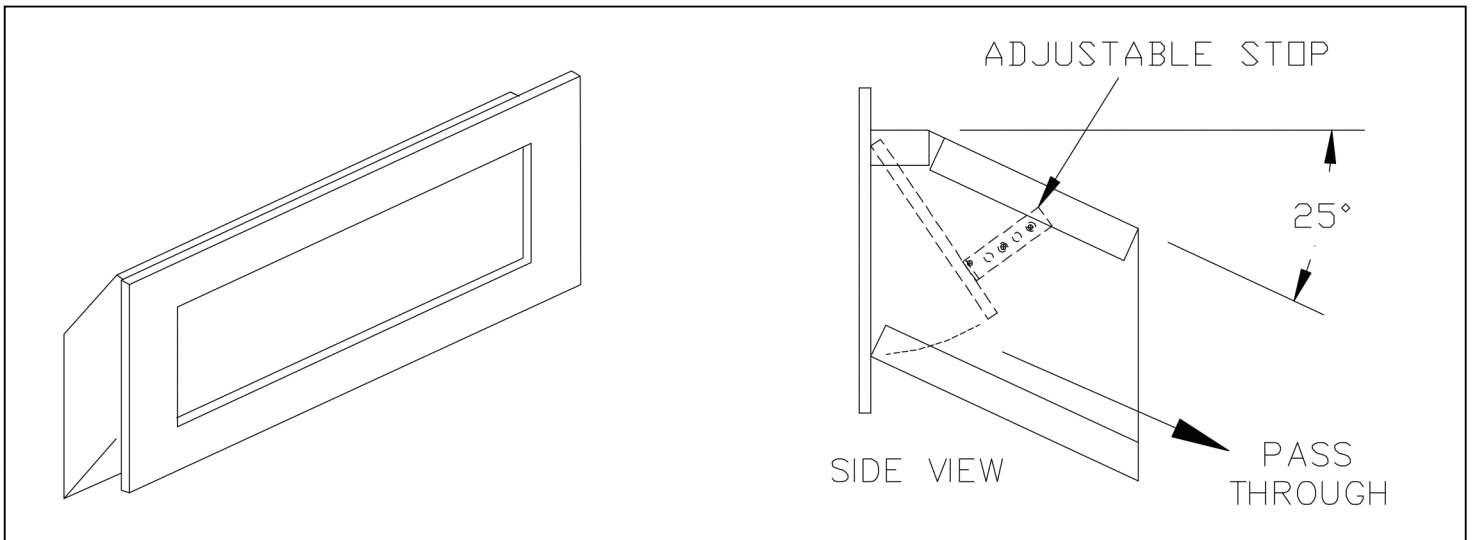


INSTALLATION INSTRUCTIONS - H2255 MAIL DROP RECEPTACLE

Thank you for selecting Mail Drop Receptacles from National Mailboxes. With its rugged 20 gauge steel construction, 1/4" thick aluminum front panel & flap, and durable powder coated finish, the H2255 Mail Drop Receptacle will provide many years of maintenance free service. These instructions are intended to assist you in a typical Mail Drop Receptacle installation. Installation instructions are provided as general guidelines. It is advised that a professional installer be consulted. National Mailboxes assumes no product assembly or installation liability.



Overall Dimensions: 14"W x 7"H x 6"D

Rough Opening Dimensions: 12-1/4"W x 5-1/2"H

1. Hold unit up on wall at desired height.
2. Mark the unit's location on the wall. Cut out the rough opening in the wall (12-1/4"W x 5-1/2"H).
3. Frame the opening and replace any framing/blocking that has been cut.
4. Place unit in the opening and secure to the framing by drilling screws from the inside of the mail drop through the side of the walls and into the framing.



NATIONAL MAILBOXES
A DIVISION OF NMHP INC.

North America's Commercial & Residential Mailbox Leader!

Installation instructions are provided as general guidelines. It is advised that a professional installer be consulted. National Mailboxes assumes no product assembly or installation liability.