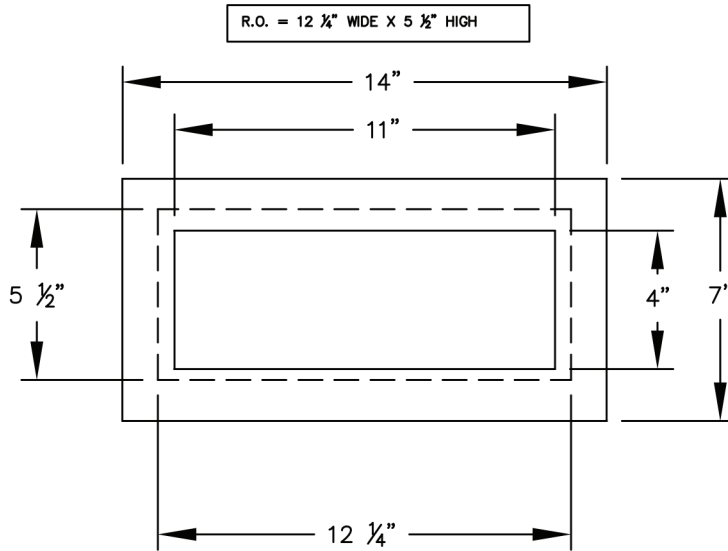
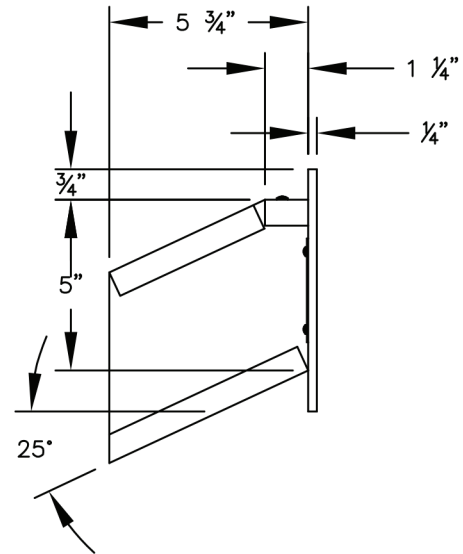


FRONT VIEW




SIDE VIEW



NOTES:

MODEL #H2255

UNIT SIZE: 14"W x 7"H x 6"D
 MAIL SLOT OPENING: 11"W x 4"H

PRODUCT SERIES:			
STANDARD MAIL DROP RECEPTACLE			
 NATIONALMAILBOXES — A DIVISION OF NMHP INC. <i>North America's Commercial & Residential Mailbox Leader!</i> Address: P.O. Box 13144, Wauwatosa, WI 53213 Phone Number: 1-800-676-5161 Website: www.NationalMailboxes.com	MODEL	H2255	REV
	SCALE	NONE	LAST REV DATE
	DRAWING NUMBER		DRAWN BY