

(NOTE: DESIGNER LOCKER SHOWN WITHOUT SIDE PANEL OR SLOPING HOOD. PLEASE ORDER SEPARATELY.)

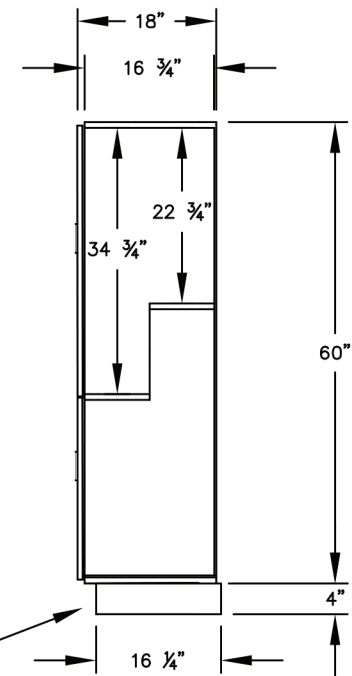
**NOTES:**

MODEL #H37158  
 12" WIDE DESIGNER WOOD LOCKERS  
 DOUBLE TIER 'S' STYLE - 1 WIDE

2 LOCKER COMPARTMENTS  
 EACH COMPARTMENT: 10-3/4"W x 34-3/4"H x 16-3/4"D

(THE DOUBLE TIER 'S' STYLE DESIGNER LOCKER INCREASES EACH COMPARTMENT ON ONE SIDE TO ACCOMMODATE GARMENTS.)

SIDE VIEW



(BASES ARE MADE OF INDUSTRIAL GRADE PARTICLEBOARD AND ARE COVERED IN A DURABLE BLACK LAMINATE. PLEASE SET BASE TO ALLOW 5/8" BETWEEN THE BACK OF THE LOCKER AND THE WALL FOR AIR VENTILATION.)

PRODUCT SERIES:

12" WIDE DESIGNER WOOD LOCKERS



**NATIONALMAILBOXES**  
 A DIVISION OF NMHP INC.

*North America's Commercial & Residential Mailbox Leader!*

Address: P.O. Box 13144, Wauwatosa, WI 53213  
 Phone Number: 1-800-676-5161  
 Website: www.NationalMailboxes.com

MODEL	H37158	REV	
SCALE	NONE	LAST REV DATE	07/2018
DRAWING NUMBER		DRAWN BY	