

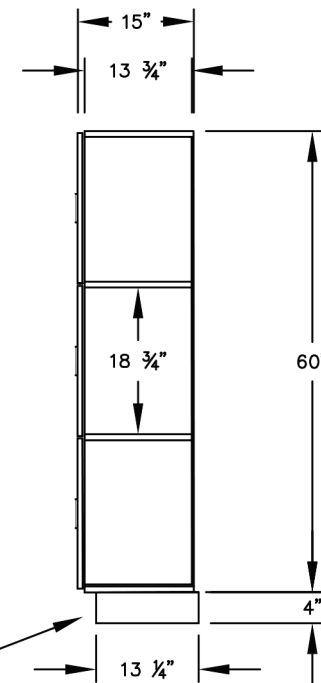
(NOTE: DESIGNER LOCKER SHOWN WITHOUT SIDE PANEL OR SLOPING HOOD. PLEASE ORDER SEPARATELY.)

NOTES:

MODEL #H33155
 12" WIDE DESIGNER WOOD LOCKERS
 TRIPLE TIER - 1 WIDE

3 LOCKER COMPARTMENTS
 EACH COMPARTMENT: 10-3/4"W x 18-3/4"H x 13-3/4"D

SIDE VIEW



(BASES ARE MADE OF INDUSTRIAL GRADE PARTICLEBOARD AND ARE COVERED IN A DURABLE BLACK LAMINATE. PLEASE SET BASE TO ALLOW 5/8" BETWEEN THE BACK OF THE LOCKER AND THE WALL FOR AIR VENTILATION.)

PRODUCT SERIES:

12" WIDE DESIGNER WOOD LOCKERS



NATIONALMAILBOXES
 A DIVISION OF NMHP INC.

North America's Commercial & Residential Mailbox Leader!

Address: P.O. Box 13144, Wauwatosa, WI 53213
 Phone Number: 1-800-676-5161
 Website: www.NationalMailboxes.com

MODEL	H33155	REV	
SCALE	NONE	LAST REV DATE	07/2018
DRAWING NUMBER		DRAWN BY	