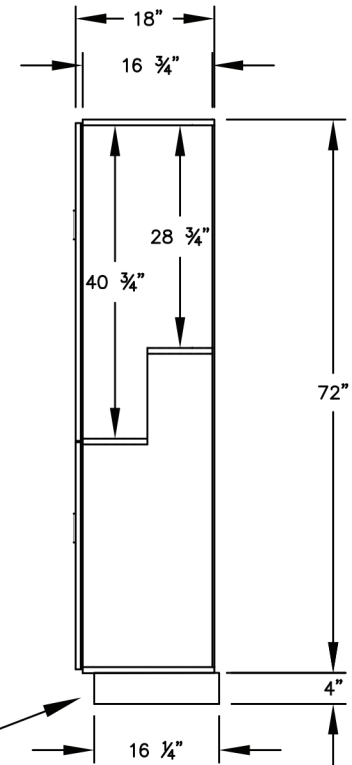


(NOTE: DESIGNER LOCKER SHOWN WITHOUT SIDE PANEL OR SLOPING HOOD. PLEASE ORDER SEPARATELY.)

SIDE VIEW



(BASES ARE MADE OF INDUSTRIAL GRADE PARTICLEBOARD AND ARE COVERED IN A DURABLE BLACK LAMINATE. PLEASE SET BASE TO ALLOW 5/8" BETWEEN THE BACK OF THE LOCKER AND THE WALL FOR AIR VENTILATION.)

NOTES:

MODEL #H27368

15" WIDE DESIGNER WOOD LOCKERS
DOUBLE TIER 'S' STYLE - 3 WIDE

6 LOCKER COMPARTMENTS

EACH COMPARTMENT: 13-3/4"W x 40-3/4"H x 16-3/4"D

(THE DOUBLE TIER 'S' STYLE DESIGNER LOCKER INCREASES EACH COMPARTMENT ON ONE SIDE TO ACCOMMODATE GARMENTS.)

PRODUCT SERIES:

12" WIDE DESIGNER WOOD LOCKERS



NATIONALMAILBOXES
— A DIVISION OF NMHP INC.

North America's Commercial & Residential Mailbox Leader!

Address: P.O. Box 13144, Wauwatosa, WI 53213
Phone Number: 1-800-676-5161
Website: www.NationalMailboxes.com

MODEL	H27368	REV	
SCALE	NONE	LAST REV DATE	07/2018
DRAWING NUMBER		DRAWN BY	