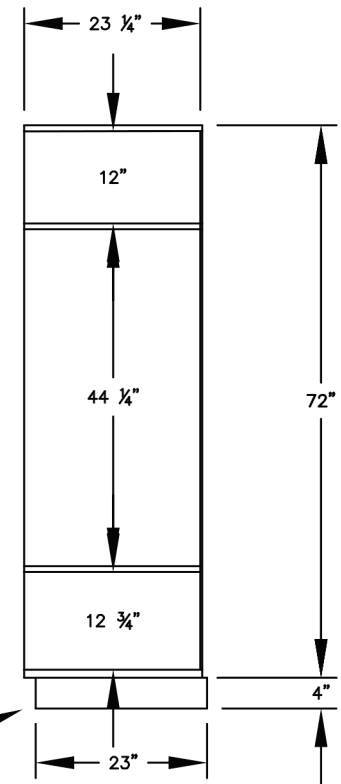


SIDE VIEW



(BASES ARE MADE OF INDUSTRIAL GRADE PARTICLEBOARD AND ARE COVERED IN A DURABLE BLACK LAMINATE. PLEASE SET BASE TO ALLOW  $\frac{5}{8}$ " BETWEEN THE BACK OF THE LOCKER AND THE WALL FOR AIR VENTILATION.)

**NOTES:**

MODEL #H30024  
24" WIDE OPEN ACCESS DESIGNER WOOD LOCKER

UNIT SIZE: 76"H x 24"W x 24"D

PRODUCT SERIES:

24" WIDE OPEN ACCESS DESIGNER WOOD LOCKERS



**NATIONALMAILBOXES**

A DIVISION OF NMHP INC.

North America's Commercial & Residential Mailbox Leader!

Address: P.O. Box 13144, Wauwatosa, WI 53213  
Phone Number: 1-800-676-5161  
Website: [www.NationalMailboxes.com](http://www.NationalMailboxes.com)

MODEL	H30024	REV	
SCALE	NONE	LAST REV DATE	07/2018
DRAWING NUMBER		DRAWN BY	