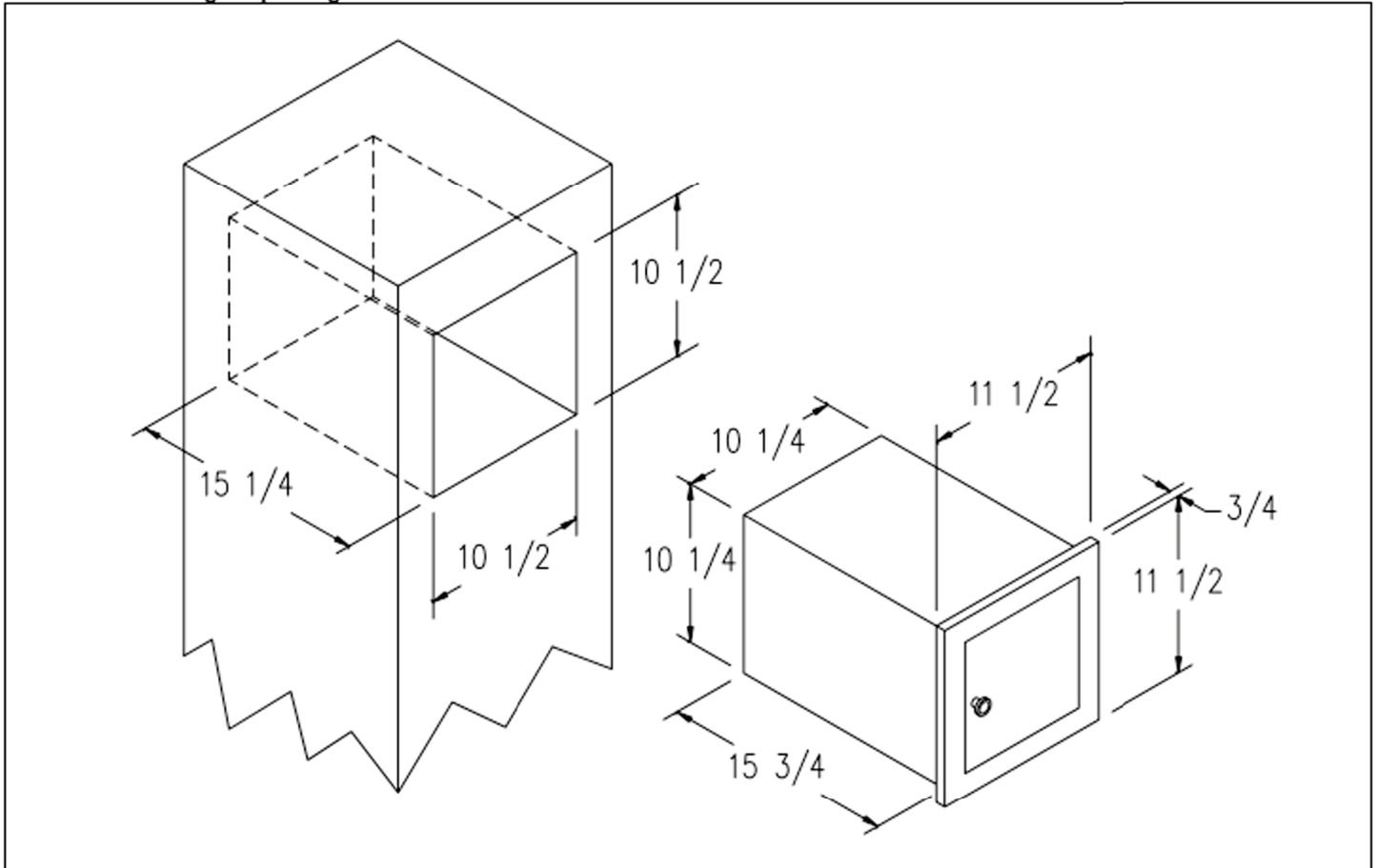


H4140 COLUMN MAILBOX - INSTALLATION INSTRUCTIONS

Thank you for selecting the H4140 Column Mailbox from National Mailboxes. We are confident that the quality and construction of the box will provide many years of maintenance free service. The unit is fully assembled and ready for installation. It is recommended to have the unit present before starting the construction to obtain the best possible fit. These instructions are intended to assist you in a typical H4140 Column Mailbox installation. They can be modified depending upon your choice in column style, materials, and fastening. Installation instructions are provided as general guidelines. It is advised that a professional installer be consulted. National Mailboxes assumes no product installation liability.

Mailbox and Rough Opening Dimensions



Installation

1. Ensure that the rough opening is larger than the sheet metal box. Insertion of the box into the rough opening is easier if there is adequate clearance around the box.

2. It is strongly suggested, when installing the mailbox into a masonry structure, that the mailbox be made removable by using screws to attach the sheet metal box into the rough opening. It is much easier to replace or repair the mailbox if it is removable.

Notes

1. Column or wall opening and lumber frame must be square.
2. Hardware is not included to fasten unit into rough opening.



NATIONAL MAILBOXES

A DIVISION OF NMHP INC.

North America's Commercial & Residential Mailbox Leader!

Installation instructions are provided as general guidelines. It is advised that a professional installer be consulted. National Mailboxes assumes no product assembly or installation liability.