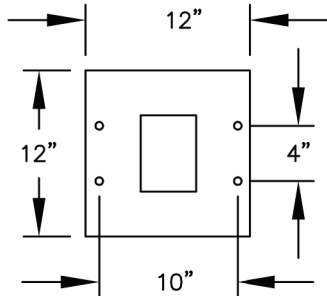
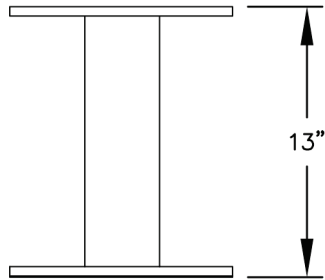
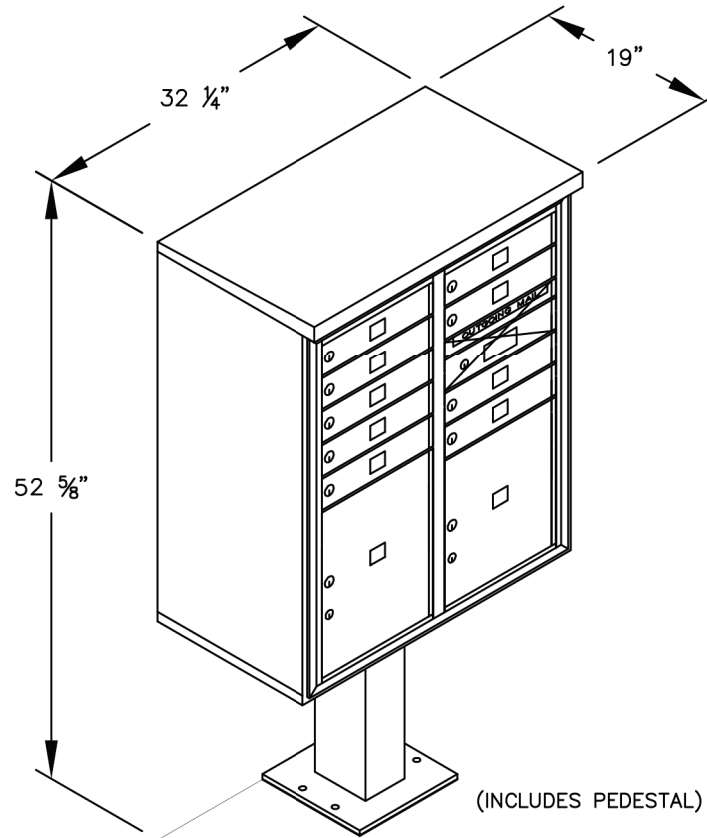


PEDESTAL



**PEDESTAL BASE
BOLT PATTERN**



NOTES:

MODEL: #H3410D-09
 UNIT SIZE: 52-5/8"H x 32-1/4"W x 19"D
 TOTAL DOORS: 9 TENANT, 2 PARCEL LOCKER
 TENANT DOOR SIZE: 3-1/4"H, 13-1/4"W
 PARCEL LOCKER DOOR SIZE: 1 DOOR 15-1/2"H x 13-1/4"W
 1 DOOR 17-1/4"H x 13-1/4"W
 OUTGOING MAIL SLOT SIZE: 10"W x 3/4"H
 UNIT WEIGHT: 170 LBS
 COLORS: BLACK, BRONZE, GRAY, AND SANDSTONE

PRODUCT SERIES:

H3400 SERIES PEDESTAL MAILBOXES



NATIONALMAILBOXES
 A DIVISION OF NMHP INC.

North America's Commercial & Residential Mailbox Leader!

Address: P.O. Box 13144, Wauwatosa, WI 53213
 Phone Number: 1-800-676-5161
 Website: www.NationalMailboxes.com

MODEL	H3410D-09	REV	
SCALE	NONE	LAST REV DATE	3/2020
DRAWING NUMBER		DRAWN BY	