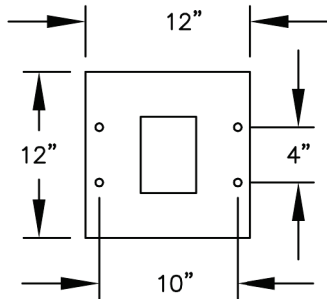
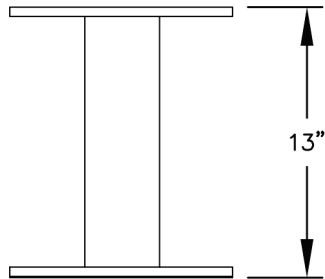
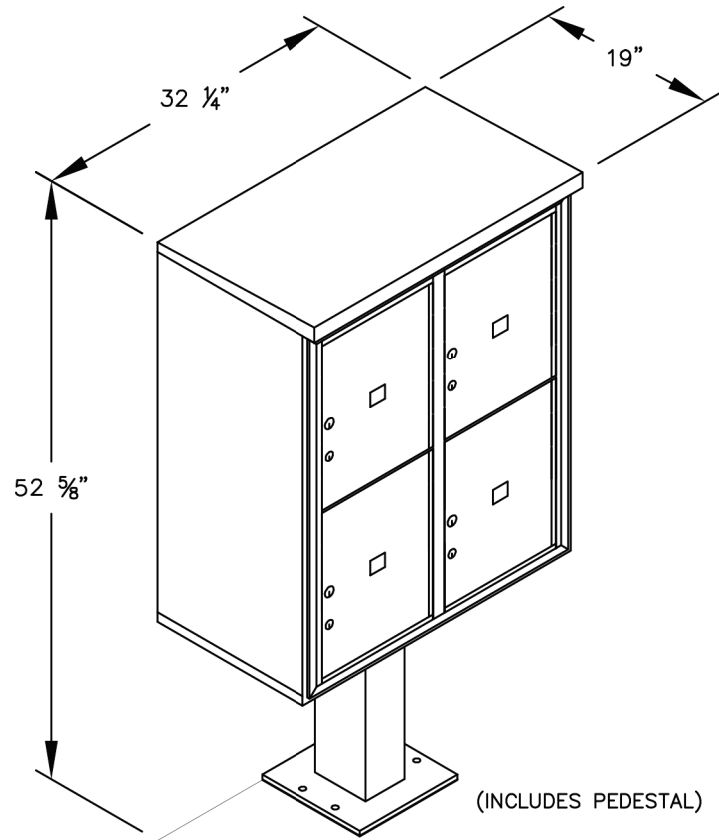


PEDESTAL



**PEDESTAL BASE
BOLT PATTERN**



NOTES:

- MODEL: #H3410D-4P
- UNIT SIZE: 52-5/8"H x 32-1/4"W x 19"D
- TOTAL DOORS: 4 PARCEL LOCKER
- PARCEL LOCKER DOOR SIZE: 17-1/4"H x 13-1/4"W
- UNIT WEIGHT: 160 LBS
- COLORS: BLACK, BRONZE, GRAY, AND SANDSTONE

PRODUCT SERIES:

H3400 SERIES PEDESTAL MAILBOXES



NATIONALMAILBOXES
A DIVISION OF NMHP INC.

North America's Commercial & Residential Mailbox Leader!

Address: P.O. Box 13144, Wauwatosa, WI 53213
Phone Number: 1-800-676-5161
Website: www.NationalMailboxes.com

MODEL	H3410D-4P	REV	
SCALE	NONE	LAST REV DATE	3/2020
DRAWING NUMBER		DRAWN BY	