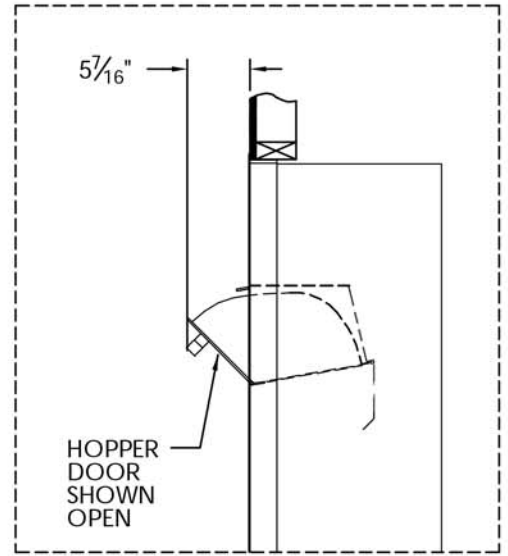
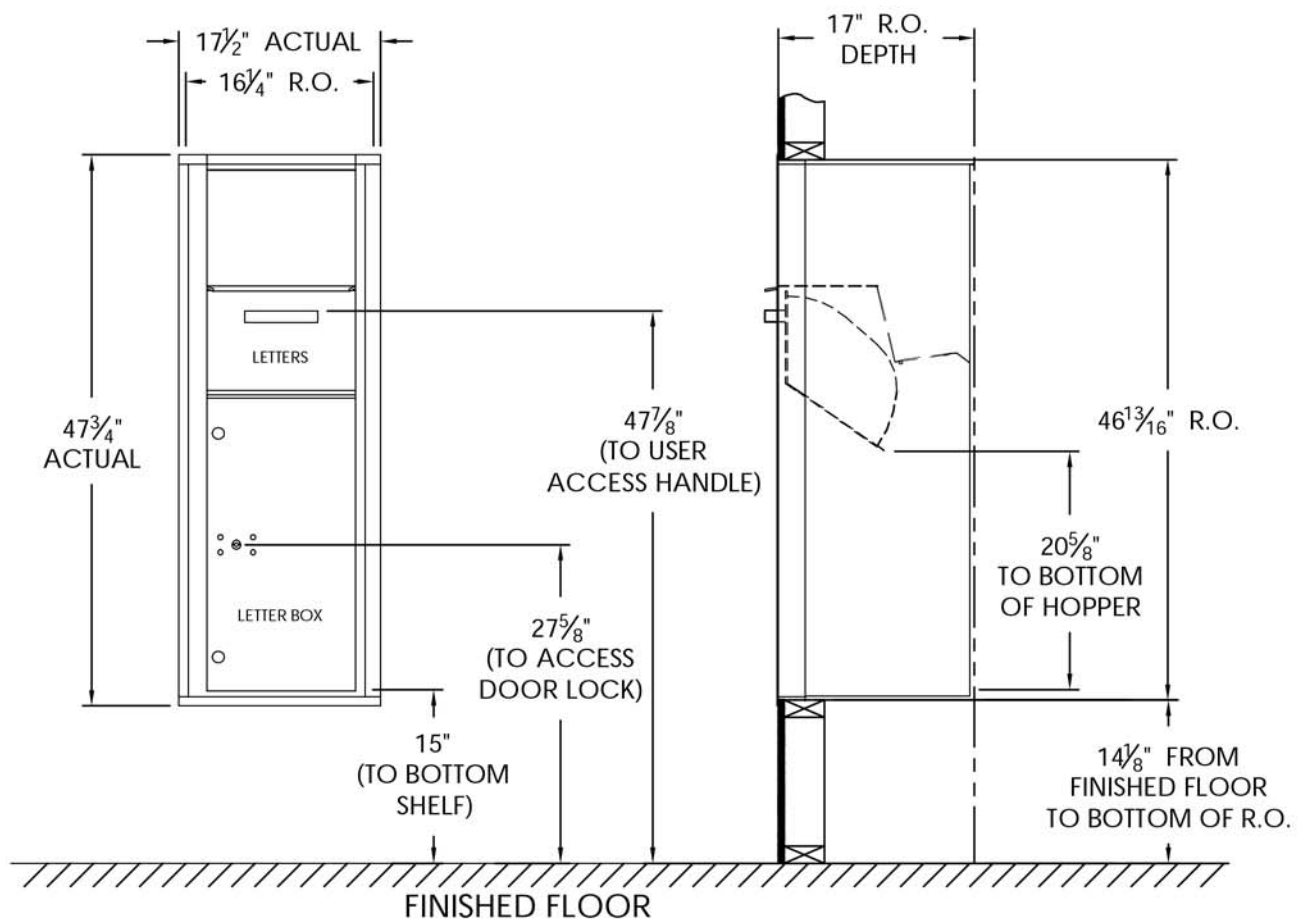



# versatile™ 4C Collection Box, 4C13S-HOP



MAX BUNDLE SIZE		
HEIGHT	WIDTH	LENGTH
4 1/4"	11 3/8"	6 1/4"
3 1/2"	11 3/8"	11 1/2"
3"	11 3/8"	14 3/4"
2 1/2"	11 3/8"	14 3/4"

- NOTES:
1. 4C Collection boxes are USPS Approved.
  2. Module may be recessed, surface, or pedestal mounted and coordinates with Florence versatile™ 4C mailbox modules, see installation manual for details.
  3. Collection Box compartment size is 20 5/8" H x 12" W x 15"D.
  4. Fixed top panel is for security purposes and is not usable.

PRODUCT SERIES: VERSATILE™ 4C COLLECTION BOX

 <b>NATIONAL MAILBOXES</b> <small>A DIVISION OF NMHP INC.</small> <small>North America's Commercial &amp; Residential Mailbox Leader!</small> <small>Address: P.O. Box 13144, Wauwatosa, WI 53213</small> <small>Phone Number: 1-800-676-5161</small> <small>Website: www.NationalMailboxes.com</small>	MODEL <b>4C13S-HOP</b> REV <b>D</b>
	SCALE <b>NONE</b> LAST REV DATE <b>7/02/2014</b>
	DRAWING NUMBER <b>4C13S-HOPCS</b> DRAWN BY <b>TNS</b>