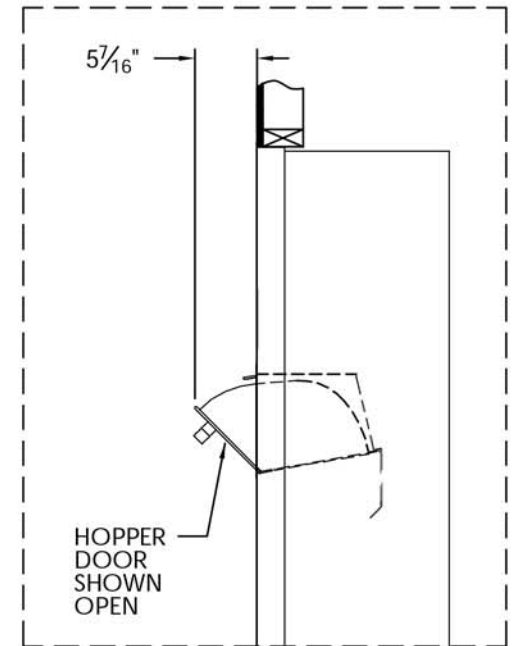
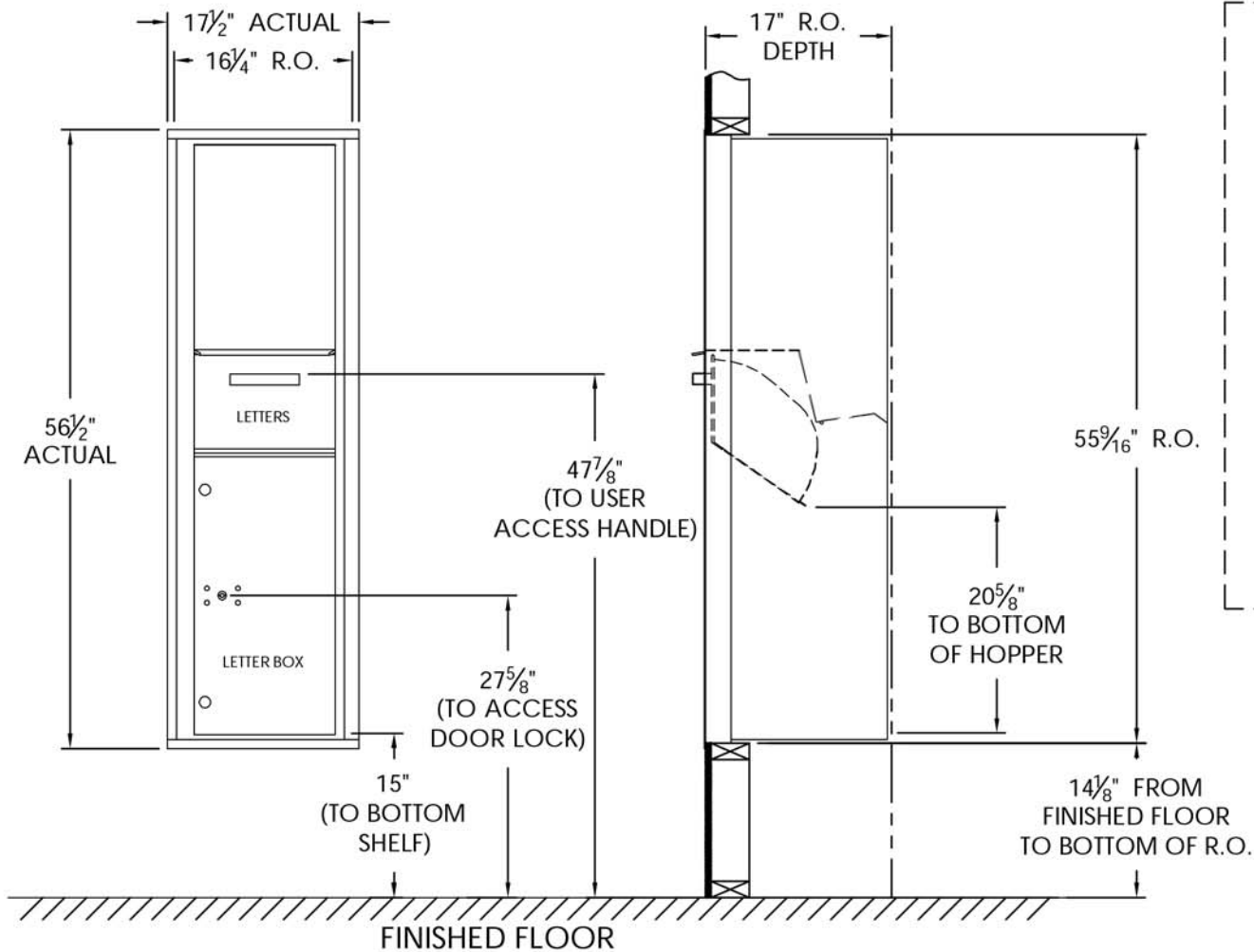


versatile™ 4C COLLECTION BOX, 4C16S-HOP




MAX BUNDLE SIZE		
HEIGHT	WIDTH	LENGTH
4 1/4"	11 3/8"	6 1/4"
3 1/2"	11 3/8"	11 1/2"
3"	11 3/8"	14 3/4"
2 1/2"	11 3/8"	14 3/4"

NOTES:

1. 4C Collection boxes are USPS Approved.
2. Module may be recessed, surface, or pedestal mounted and coordinates with Florence versatile™ 4C mailbox modules, see installation manual for details.
3. Collection Box compartment size is 20 5/8" H x 12" W x 15"D.
4. Fixed top panel is for security purposes and is not usable.

PRODUCT SERIES: **VERSATILE™ 4C COLLECTION BOX**

 NATIONALMAILBOXES <small>A DIVISION OF NMHP INC.</small> <small>North America's Commercial & Residential Mailbox Leader!</small> <small>Address: P.O. Box 13144, Wauwatosa, WI 53213</small> <small>Phone Number: 1-800-676-5161</small> <small>Website: www.NationalMailboxes.com</small>	MODEL 4C16S-HOP	REV C
	SCALE NONE	LAST REV DATE 7/02/2014
	DRAWING NUMBER 4C16S-HOPCS	DRAWN BY TNS