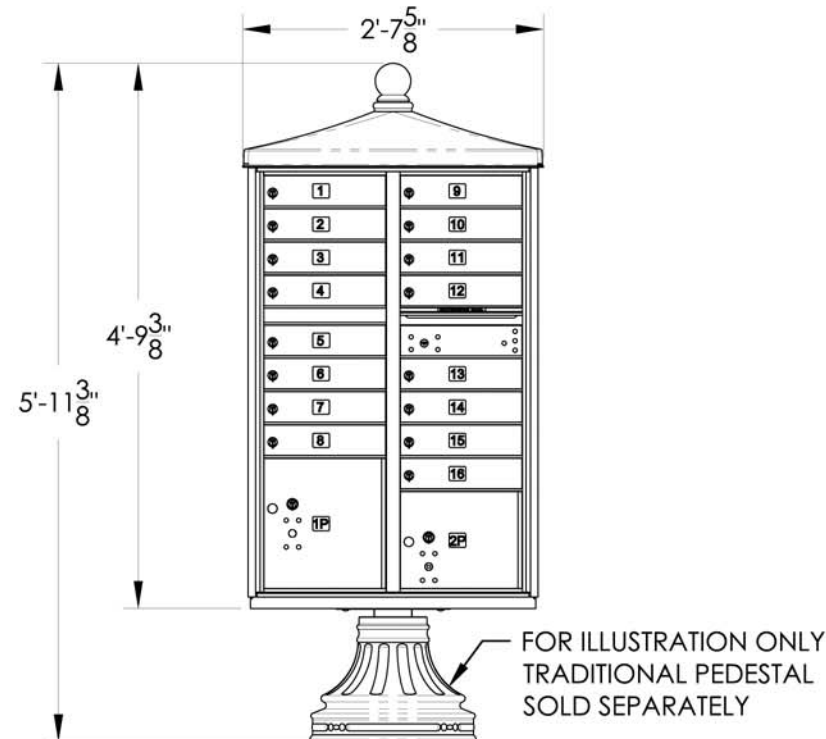
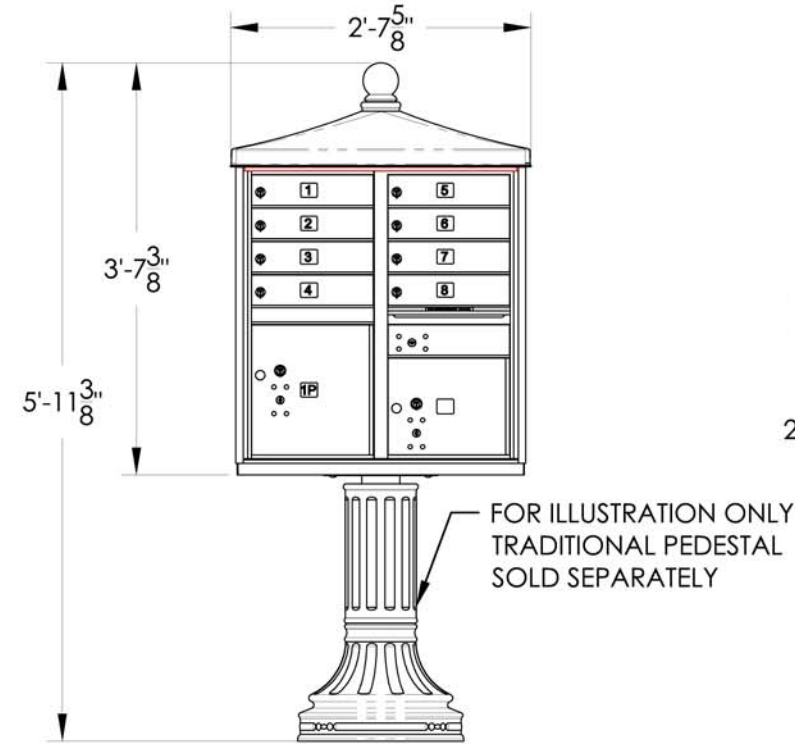
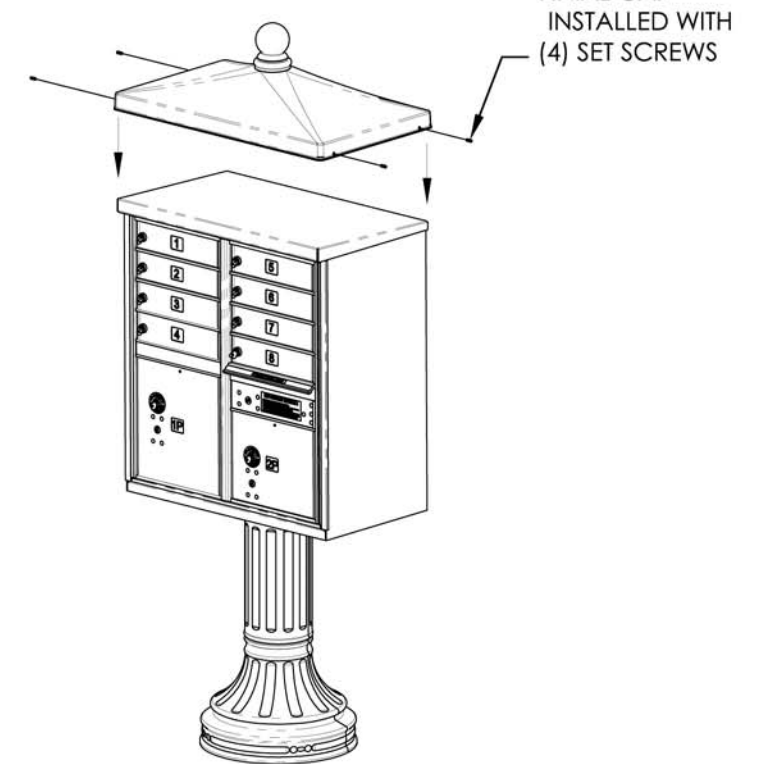
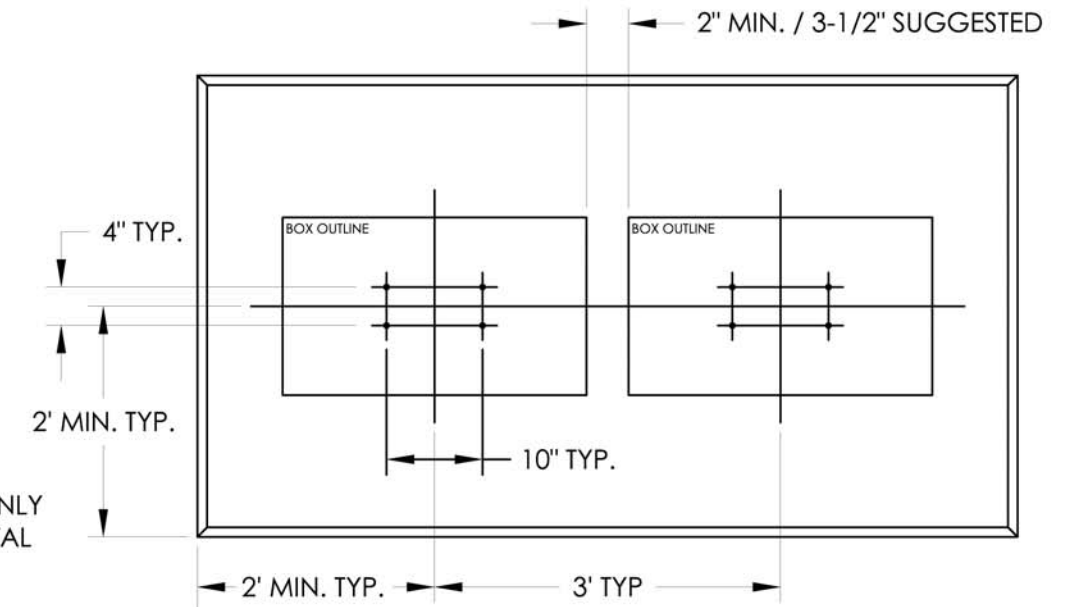


IMPORTANT CLEARANCE SPEC
SEE **MULTI UNIT PAD SPECIFICATION**
FOR BOLT PATTERN AND SPACING

1570 CBU SERIES VIEW WITH INSTALLED ACCESSORIES



MULTI-UNIT PAD SPECIFICATION



NOTES:

1. FINIAL CAP DESIGN REQUIRES ADDITIONAL SPACE BETWEEN CBUS. FOR MULTIPLE CBU INSTALLATIONS. SEE IMPORTANT CLEARANCE SPEC ABOVE.
2. CAP AND PEDESTAL COVER SOLD SEPARATELY.
3. FINIAL CAP AVAILABLE IN ALL STANDARD CBU POWDER COAT FINISHES.
4. FINIAL INSTALLED USING (4) SET SCREWS. HARDWARE INCLUDED.
5. FINIAL CAP DESIGNED TO FIT OVER FLORENCE 1570 SERIES CBU.

PRODUCT SERIES: VOGUE™ CBU ACCESSORIES FINIAL CAP

NATIONAL MAILBOXES
A DIVISION OF NMHP INC.
North America's Commercial & Residential Mailbox Leader!
Address: P.O. Box 13144, Wauwatosa, WI 53213
Phone Number: 1-800-676-5161
Website: www.NationalMailboxes.com

MODEL	FINIAL CAP	REV	-
SCALE	NONE	LAST REV DATE	4/1/2010
DRAWING NUMBER	VOGUECAM	DRAWN BY	AFD
		SHEET	1 OF 1